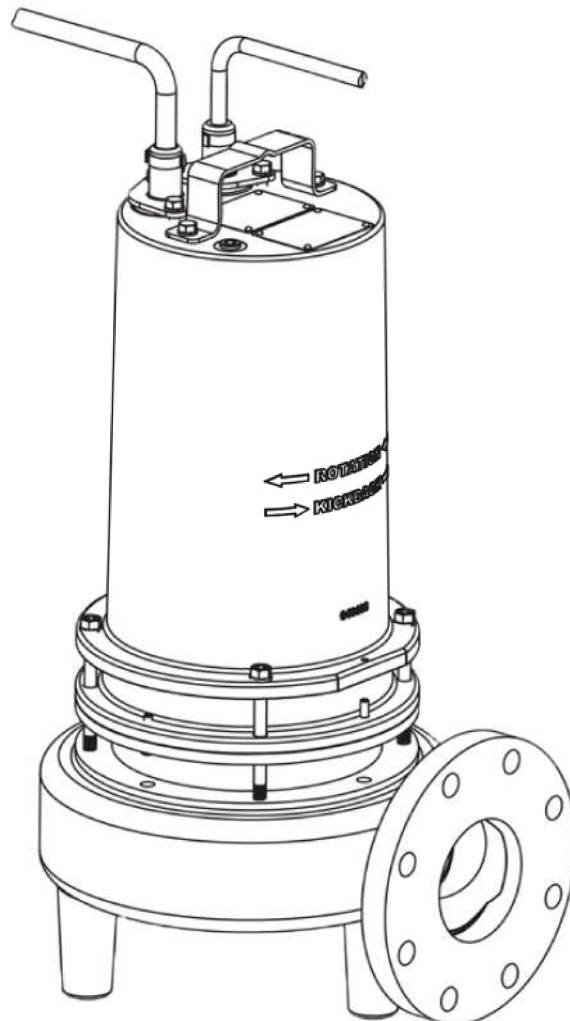


4SEV-DS – 3.7 HP

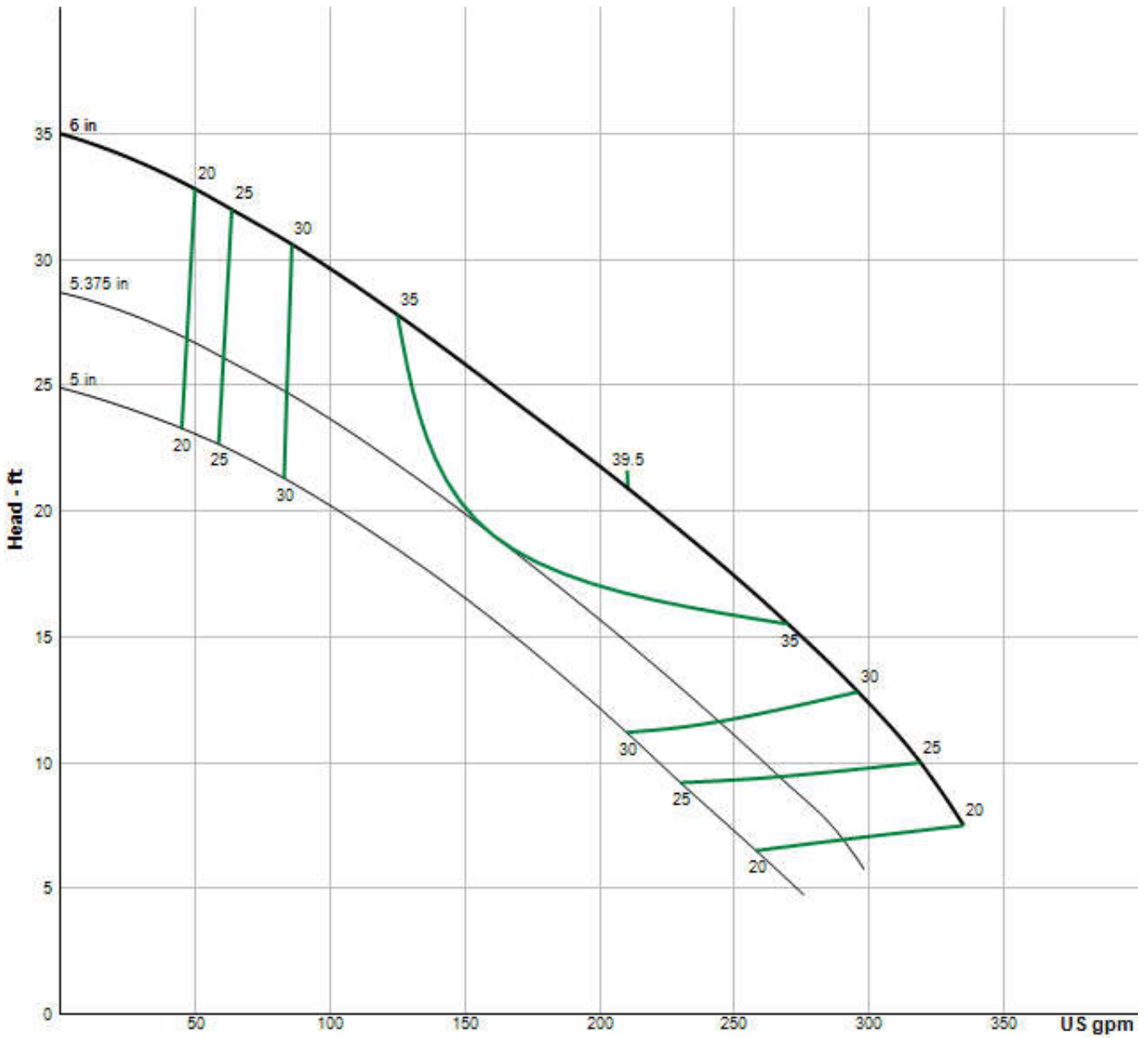
3" Spherical Solids Handling - Vortex



Specifications

DISCHARGE:	4" 125lb., Horizontal flange
SPEED:	1750 RPM
IMPELLER:	<ul style="list-style-type: none"> • Design: Vortex, 8 vane with pump out vanes on back side, Dynamically balanced, ISO G6.3 • Material: Cast iron ASTM A-48, class 30
CORD ENTRY:	.30 ft. (9.1 m) Cord. Quick connect custom molded for sealing and strain relief
MOTOR:	<ul style="list-style-type: none"> • Design: NEMA L- single phase, NEMA B - three phase torque curve, oil filled, squirrel cage induction • Winding: Class B, class H rated magnet wire, class F on selected models • Service Factor: 1.15
SEAL:	<ul style="list-style-type: none"> • Design: Double mechanical, oil filled pressure equalized reservoir • Material: Carbon/Ceramic/Buna-N
LIQUID TEMPERATURE:	104°F (40°C) Continuous
VOLUTE:	Cast iron ASTM A-48, class 30
MOTOR HOUSING	Cast iron ASTM A-48, class 30
SEAL PLATE:	Cast iron ASTM A-48, class 30
SHAFT:	416 Stainless steel
SQUARE RINGS:	Buna-N
HARDWARE:	300 Series stainless steel
PAINT:	Air dry enamel (epoxy optional)
UPPER BEARING:	<p>Upper Bearing:</p> <ul style="list-style-type: none"> • Design: Single row, ball, oil lubricated • Load: Radial <p>Lower Bearing:</p> <ul style="list-style-type: none"> • Design: Single row, ball, oil lubricated • Load: Radial
DIAPHRAGM	Buna-N
SINGLE PHASE:	Permanent split capacitor (PSC) includes overload protection in motor
THREE PHASE:	200-230/460 is Tri Voltage motor. 575. Requires overload protection to be included in control panel, VFD suitable
MOISTURE SENSOR	Normally open (N/O), requires relay in control panel
TEMPERATURE SENSOR:	Normally Closed (N/C), Requires relay in control panel. For three phase units ONLY

Curves

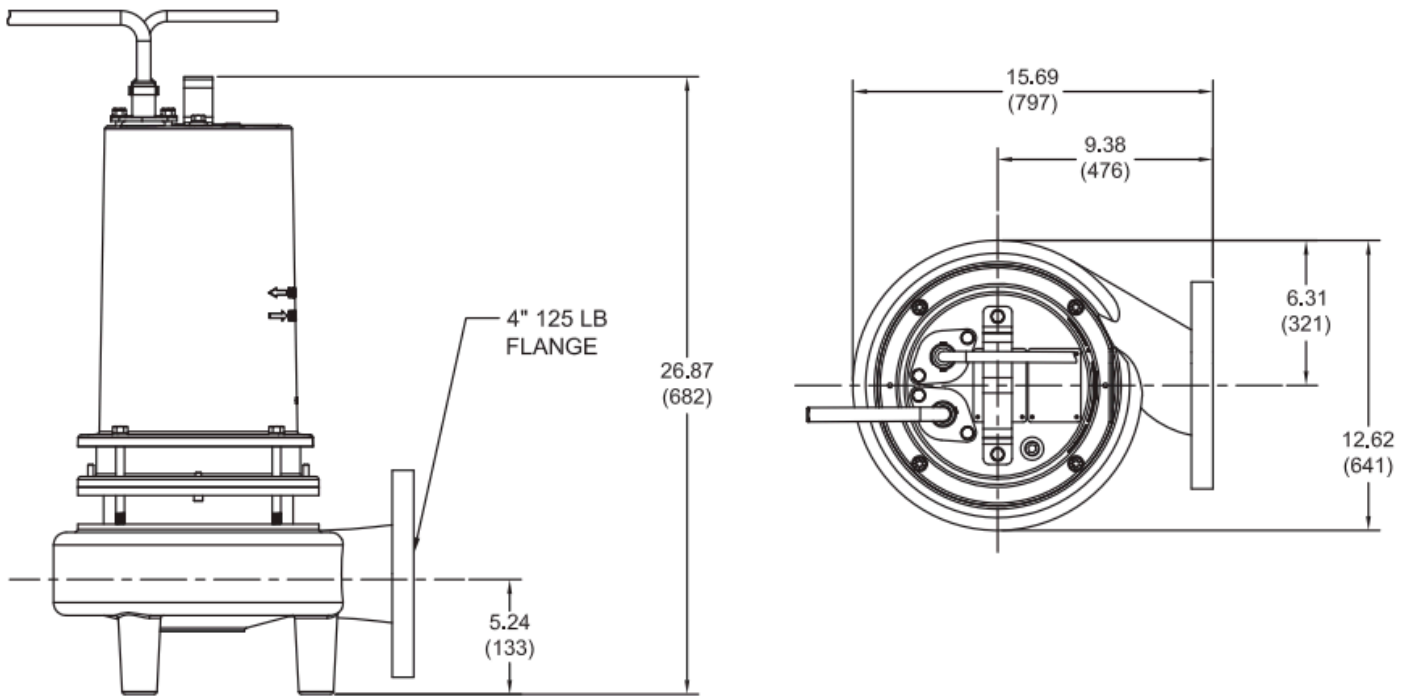



Pump HP	Impeller Dia in. (mm)
2.8	5.38 (137)
3.7	6.00 (152)
5.0	7.13 (181)

Model Information

PUMP MODEL NUMBER	4SEV3724DS	4SEV3794DS	4SEV3744DS	4SEV3754DS
PART NUMBER	140218	140219	140220	140221
HP	3.7	3.7	3.7	3.7
VOLTAGE/PHASE	230/1	200-230/3	460/3	575/3
HZ	60	60	60	60
RPM (NOMINAL)	1750	1750	1750	1750
NEMA START CODE	A	B/E	E	G
INSULATION CLASS	B	B	B	B
FULL LOAD AMPS	20	16.1/14.0	7	5.6
LOCKED ROTOR AMPS	29	35.9/42.7	21.3	21.6
CORD SIZE	10/3	12/4	14/4	14/4
CORD TYPE	SOOW/SOW	SOOW/SOW	SOOW/SOW	SOOW/SOW
CORD O.D INCH (MM)	.66 (16.8)	.68 (17.4)	.57 (14.5)	.57 (14.5)

Drawing



 All dimensions are in inches (mm)